

**INDIA'S LARGEST ENTRANCE AUTOMATION  
RANGE OF PRODUCTS**



**GATE | DOOR | ROLLING SHUTTER**

**AIRCON** is one of the leading suppliers of high-quality Entrance Automation Products manufactured by AUTOZON with the technical specifications constructed by AIRCON. Our Products are designed with engineering excellence in such a way to deliver high end technologies to the users. Our products are durable and sturdy enough to withstand all kinds of tough weather prevailing in the country. We highly focus on current and future automation technologies by updating our product development strategies time to time helping to support the human race for an easy and comfortable work atmosphere. We have all in-house facilities for manufacturing the products with assured delivery as per approved design. Our State-of-the-art R&D facility system helps to deliver top tier and premier products & services.



#### Our Vision:

- To creating new benchmarks
- To be the leader in entrance automation by providing professional and customized Service
  - Our innovative automation solutions with passion to enhance the quality of life
    - Continuous innovation and a drive to roll-out value-added products
- Expand globally, providing entrance automation solutions for diverse markets and industries.



#### Our Mission:

- We aim to create a 100% happy customer.
- We aim to provide customers with modern-designed top-quality products, complying with high tech developments
- We aim to be the partner of choice to our clients by offering them updated automation innovations.
  - We aim to improve product quality by increasing the technological level of production;
  - Our strength lies in our workforce & we aim to nurture, train & mentor



#### Quality Policy:

- Our purpose is to provide customers with an Entrance automation solution.
  - Delivering- High-Quality, Safe and efficient products.
- Our quality policies are constantly upgraded to meet and exceed our customer's expectations.
- Our quality policy has resulted in a work culture that emphasizes quality without compromise.

## OUR INFRASTRUCTURE

**AIRCON** in association with **AUTOZON**, has the state-of-the-art manufacturing facility. The facility houses professionals who are dedicated in building their knowledge and expertise to meet our client's requirements - enabling to maintain optimum efficiency in product delivery

- Administrative Office is accommodated in an area of 4,000 Sq.ft
- Experience & Training center, showcasing our automation products in an area of 2,000 Sq.ft
- Store & Warehouse facility in 8,000 Sq.ft
- Factory & Warehouse facility in 50,000 Sq.ft

## CERTIFICATIONS

As the official manufacturer for **AIRCON**, **AUTOZON** is certified by **TUV INDIA** for **ISO 9001:2015** Quality Management Systems and **Conformité Européenne (CE)** certificate for the goods confirmed with European health, safety and environmental protection standards by the European Union (EU).



**TUV INDIA**  
TUV INDIA PVT. LTD.  
ISO 9001:2015

**Certificate**

Management system as per  
ISO 9001:2015

The Certification Body TUV INDIA PVT. LTD. hereby confirms as a result of the audit, assessment and certification decision according to ISO/IEC 17021-1:2015, that the organization

**AUTOMATION ZONE**  
308/1,308/1A, Rajeev Gandhi Road, Ganapathy,  
Coimbatore-641 006, Tamil Nadu,  
India

operates a management system in accordance with the requirements of ISO 9001:2015 and will be assessed for conformity within the 3 year term of validity of the certificate.

Scope

**Design, Manufacture, Sales, Installation and servicing of Boom Barriers, Rolling Shutters, Fire Rated Rolling Shutters, High Speed and Fast Pack Doors, Industrial and Residential Sectional Doors, Industrial Gates and Supply of Gate Operators, Rolling shutter Operators, High Speed Door Operators and Accessories.**

Certificate Registration No. **QM 09 00528** Valid from **03.02.2024**  
Audit Report No. **Q 10525/2020** Valid until **02.02.2027**  
Initial certification **03.02.2021**

Mumbai, 12.01.2024

Certification Body at TUV INDIA PVT. LTD.

TUV INDIA PVT. LTD.  
801, Raheja Plaza 1, L.B.S Marg,  
Ghatkopar (W) Mumbai - 400 086,  
India  
[www.tuv-nord.com/in](http://www.tuv-nord.com/in)

**NABCB**  
GM 002

**IAF**  
INTERNATIONAL ASSOCIATION OF CERTIFICATION BODIES

**TUVNORDGROUP**



**UKCERT**  
Certification & Inspection

**Certificate of Compliance**  
**CE**

We hereby declare that the technical file of product complied with the requirement of Construction Products (CPD/CPR) Council Directive 89/106/EEC (CPD) / Regulation (EU) No 305/2011 (CPR)

Certificate No.: CE-6101

**Manufacturer**  
Name : AUTOZON  
Address : Door No.24, Vivekananda Road, UdayamPalayam,  
Chinnavedampatti Po, Coimbatore - 641 049, Tamil Nadu, India.  
Products : As per appendix page - I

Complies with the requirements applicable to it

The quality system file has been assessed, approved and is subject to continuous surveillance according to the Construction Products (CPD/CPR) Council Directive 89/106/EEC (CPD) / Regulation (EU) No 305/2011 (CPR)

This certificate is issued under the following conditions:

1. It applies only to the quality system maintained in the manufacture of above referenced models and it does not substitute the design or type-examination procedures, if requested.
2. The certificate remains valid until the manufacturing conditions or the quality systems are changed.
3. The certificate validity is conditioned by positive results or surveillance audits.
4. After fulfilling the relevant EU legislation, the manufacturer shall affix to each device, of the referenced models.

The CE mark as shown above can be used, under the responsibility of the manufacturer, after completion of an EC Declaration of conformity and compliance with all relevant EC Directives. The statement is based on a single evaluation of one sample of above mentioned product. It does not imply assessment of the whole production.

Validity of this certificate can be verified at [www.ukcertifications.org.uk/verify](http://www.ukcertifications.org.uk/verify)

Date of Certification 30th September 2024  
1<sup>st</sup> Surveillance Audit Due 29th September 2025  
2<sup>nd</sup> Surveillance Audit Due 29th September 2026  
Certificate Expiry (subject to the company maintaining its system 29th September 2027 to the required standard)

*Daniel..*  
Authorised Signatory

Page 1 of 3

This certificate is the property of UK Certification & Inspection Limited and shall be returned immediately on request.  
71-75 Shelton Street, Covent Garden, London, WC2H 9JQ, United Kingdom  
Website: [www.ukcertifications.org.uk](http://www.ukcertifications.org.uk), email: [info@ukcertifications.org.uk](mailto:info@ukcertifications.org.uk)  
Company No. 11847851

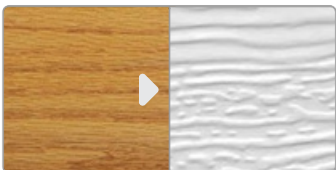
# RESIDENTIAL GARAGE DOOR & INDUSTRIAL SECTIONAL DOOR



## PANEL SPECIFICATION

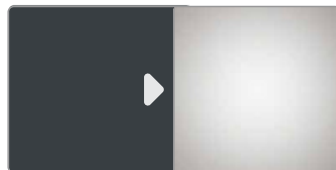


## PANEL COLORS & SURFACE TEXTURE



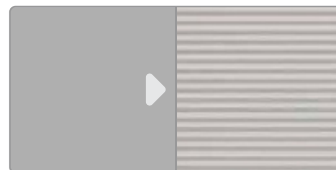
Golden Oak

Woodgrain Texture



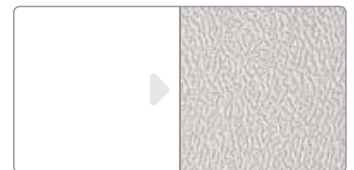
Gray

Smooth Texture



Silver

Micro-rib Smooth Texture



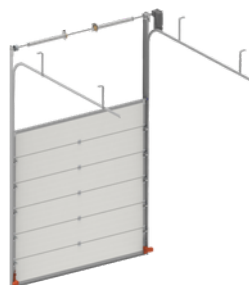
White

Stucco Texture

## TYPES OF LIFT



STANDARD LIFT



HIGH LIFT



VERTICAL LIFT

# HIGH SPEED DOOR



CONVEYOR HIGH SPEED DOOR



PVC HIGH SPEED DOOR



CLEAN ROOM HIGH SPEED DOOR



SELF REPAIRABLE HIGH SPEED DOOR

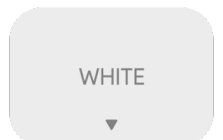


FREEZER HIGH SPEED DOOR



FAST PACK DOOR

## AVAILABLE COLORS



# AUTOMATIC ROLLING SHUTTER



 **BS EN 1634-1 2014**  
Fire rated test Certificate - Upto 240 mins

FIRE RATED GALVALUME ROLLING SHUTTER



PPGI SINGLE WALL ROLLING SHUTTER



GALVANIZED SINGLE WALL ROLLING SHUTTER



PPGL DOUBLE WALL PU ROLLING SHUTTER



ALUMINIUM 77 DOUBLE WALL ROLLING SHUTTER



ALUMINIUM SINGLE WALL ROLLING SHUTTER

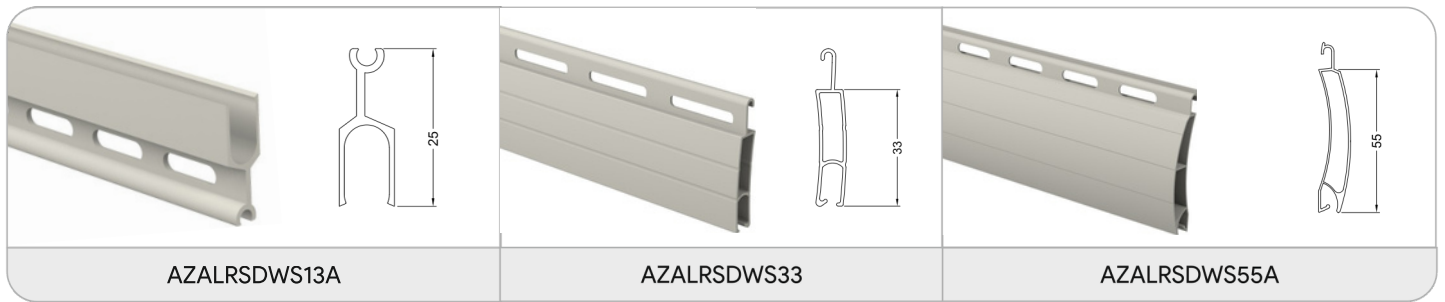
# ALUMINIUM ROLLING SHUTTER



ALUMINIUM WINDOW ROLLING SHUTTER



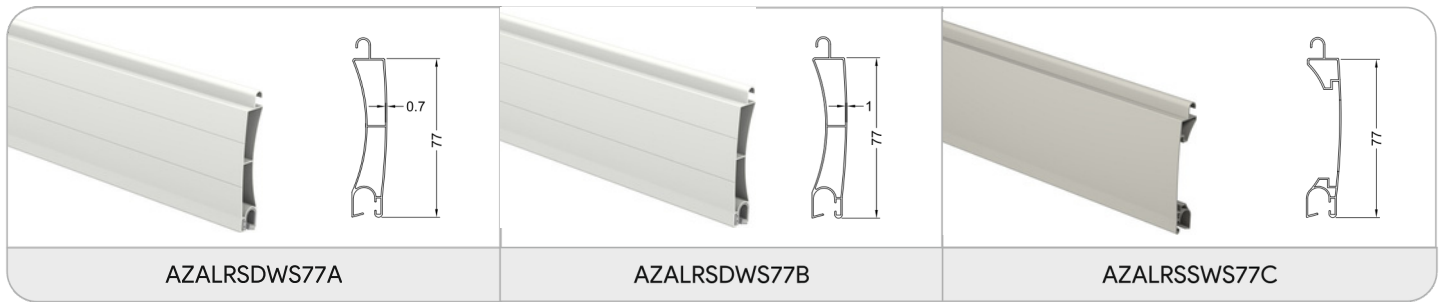
ALUMINIUM ROLLING SHUTTER



AZALRSDWS13A

AZALRSDWS33

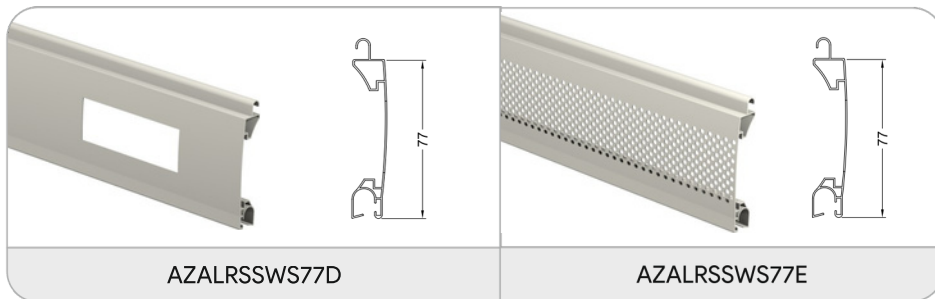
AZALRSDWS55A



AZALRSDWS77A

AZALRSDWS77B

AZALRSDWS77C



AZALRSDWS77D

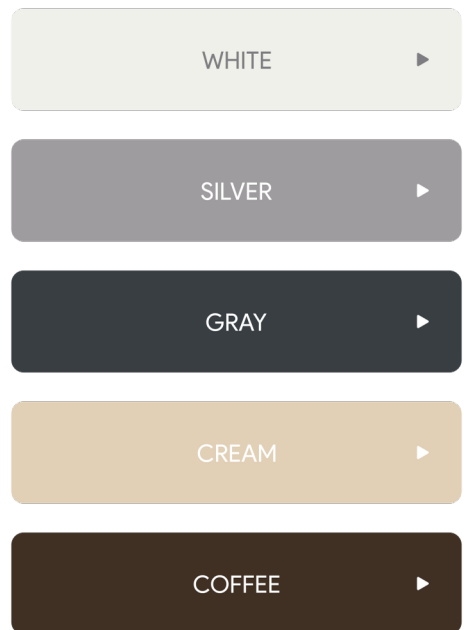
AZALRSDWS77E

## ALUMINIUM ROLLING SHUTTER PU INSULATED SLAT:

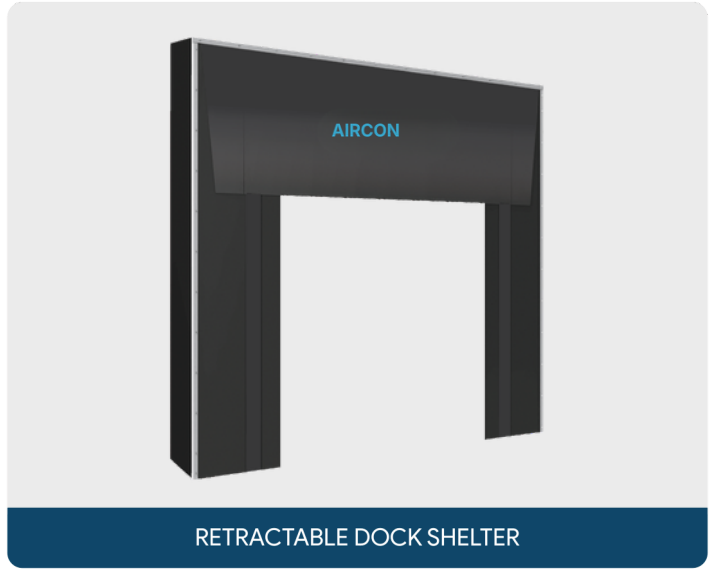


AZALRSDWS77I

## AVAILABLE COLORS:



 **LOADING DOCK EQUIPMENTS**



 RETRACTABLE GATE



ALUMINIUM RETRACTABLE GATE



STAINLESS STEEL RETRACTABLE GATE



ALUMINIUM RETRACTABLE GATE

# DOOR & ROLLING SHUTTER OPERATOR



ROLLING SHUTTER INDIRECT DRIVE OPERATOR AC - ELITE



ROLLING SHUTTER DRIVE OPERATOR AC ROLL



ROLLING SHUTTER INDIRECT DRIVE OPERATOR DC - MECH



ROLLING SHUTTER TUBULAR OPERATOR CORE



ROLLING SHUTTER FIRE RATED OPERATOR GEN



ROLLING SHUTTER DRIVE OPERATOR DRIVE



GARAGE DOOR OPERATOR SPARK



GARAGE DOOR SHAFT OPERATOR SHAFT



SECTIONAL DOOR OPERATOR NARROW



HIGH SPEED DOOR SERVO OPERATOR JET



HIGH SPEED DOOR SERVO OPERATOR PROTO

# ACCESSORIES



AZT140A  
Transmitter



AZR140A  
External 4 Channel Receiver



AZLPC12  
Laser Photocell



AZRFPC41A10M  
IP Reflector Photocell



AZIS6F20  
Infrared Sensor



AZLSEC46  
Series Light Curtain Sensor



AZRS31  
Radar Sensor



AZLB33  
Loop Detector



AZMWS98  
Microwave Sensor



AZMMWR30  
MM Wave Radar



AZHSDBES64A  
Airbag Safety Edge Sensor



AZRSSB01  
Safety Break



AZPBK16B  
Push Button With Key



AZPBIP65  
Water Proof Push Button



AZAFLAC19A  
Alarm Flash Lamp



AZSL12A  
Signal Light

# INDUSTRIAL ENTRANCE AUTOMATION APPLICATION



01. SLIDING GATE

02. PEDESTRIAN GATE

03. BOOM BARRIER

04. LOADING DOCK EQUIPMENT

- SECTIONAL DOOR
- DOCK LEVELLER & SHELTER

05. ALUMINIUM PU INSULATED ROLLING SHUTTER

06. GI SINGLE WALL ROLLING SHUTTER

07. FIRE RATED ROLLING SHUTTER

08. GLASS SLIDING DOOR

09. HANGING SLIDING DOOR

10. GALVALUME PU INSULATED ROLLING SHUTTER

11. HIGH SPEED DOOR

12. SWING GATE

13. SWING DOOR

14. FAST PACK DOOR

15. RETRACTABLE GATE

16. BOLLARD

For Dealer